



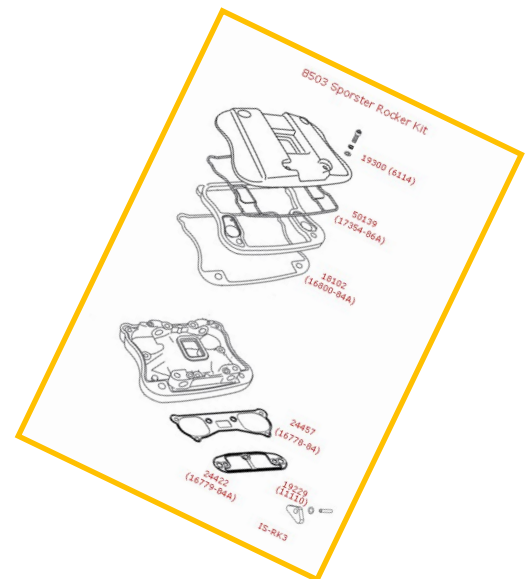
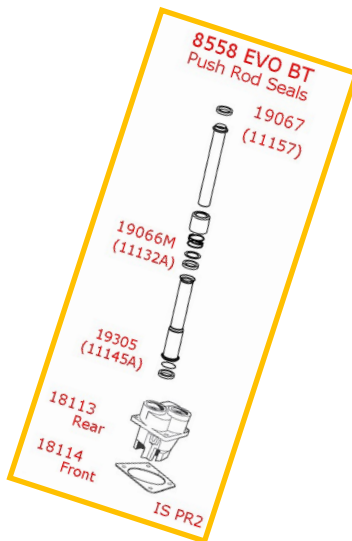
NEW PRODUCT FOR HARLEY

In stock and ready to ship

Complete Top End Gasket Program for Harley Davidson



- * Highest quality components, Upgraded Rubber.
- * Gaskets made in the **USA** using **Micro pour technology**.
- * Ultimate Sub kitting in the industry, each section that you are working on Packaged separately with Detailed Pictures.
- * Each kit boxed for easy shipping and storage on your shelf.
- * Program can be packaged using your logos.
- * Packaged in the USA.
- * Cycle Pro Advisory Board Approved.



Manufacturing and Distributing High Quality Parts

Mailing Address

516-D River Hwy
PMB 116
Mooresville, NC 28117

Phone: 704.662.6682
Fax: 704.662.8752
E-mail: Sales@Cycleprollc.com

Warehouse Address

261 1A Rolling Hill Rd
Mooresville, NC 28117

1948-65 PAN HEAD®

CP #	OEM #	Description	Year
8023	17034-48B	Pan head®	48-65

SHOVELHEAD®

CP #	OEM #	Description	Year
8003	17034-66	Shovelhead®	66-84
8002	N/A	Shovelhead®, 3 5/8 Bore	66-84

1957-13 SPORTSTER®

CP #	OEM #	Description	Year
8009		XL 900cc	57-70
8010		XL 1000cc	72-E73
8011		XL 1000cc	L73-76
8012		XL 1000cc	77-85
8017	17026-91A	883cc Sportster® EVO	86-90
8018	17030-89A	883cc Sportster® EVO	91-03
8019	17049-04	883cc Sportster® EVO	04-06
8028	17049-08	883cc Sportster® EVO	07-13
8020	17030-88B	1200cc Sportster® EVO	88-90
8021	17032-91A	1200cc Sportster® EVO	91-03
8022		1200cc Sportster® EVO	04-06
8024	17049-08	1200cc Sportster® EVO	07-13

1984-99 BIG TWIN EVO

CP #	OEM #	Description	Year
8004	17033-83A	Big Twin EVO 3 1/2" bore .030" Head Gasket	84-91
8013	17033-83A	Big Twin EVO 3 1/2" bore .040" Head Gasket	84-91
8014	17033-83A	Big Twin EVO 3 1/2" bore .059" Head Gasket	84-91
8006	17033-83A	Big Twin EVO 3 5/8" bore STD Head Gasket	84-91
8005	17040-92	Big Twin EVO 3 1/2" bore .030" Head Gasket	92-99
8015	17040-92	Big Twin EVO 3 1/2" bore .040" Head Gasket	92-99
8030	17040-92	Big Twin EVO 3 5/8" bore STD Head Gasket	92-99

1999-12 TWIN CAM®

CP #	OEM #	Description	Year
8007	17052-99B	Twin Cam® 88ci & 96 ci (3 3/4" Bore) .040" Head Gasket	99-13
8033	17052-99B	Twin Cam® 88ci & 96 ci (3 3/4" Bore) .030" Head Gasket	99-13
8034	17054-05	Twin Cam® 95ci & 103 ci, 110 ci (3 7/8" Bore) .040" Head Gasket	99-13
8035	17054-05	Twin Cam® 95ci & 103 ci, 110 ci (3 7/8" Bore) .030" Head Gasket	99-13



CERTIFIED PARTNER LIST